

V5050A 3-WAY FLANGED LINEAR VALVE PN16

SPECIFICATION DATA



Features

- Cast iron body with flanged end connections
- Low seat leakage rate
- Metal to metal seating for long life span
- Self adjusting packing
- Accurate positioning to ensure state of the art temperature control
- Easy mounting of direct coupled electric and pneumatic actuators
- Constant total flow throughout full plug travel

Specifications

Action	Stem up to close port A-AB
Nominal pressure rating	PN16
Valve type	3-way mixing
Flow characteristic	Equal percentage port A-AB, linear port B-AB (See Fig. 1)
Rangeability	50:1
Leakage rate	≤0.1 % of k_{VS} port A-AB ≤1 % of k_{VS} port B-AB
Stroke	38 mm
Valve body	
End connections	Flanged per ISO 7005-2
Material	Cast iron (GG25)
Dimensions	See Fig. 2
Trim	
Seat	Body integrated
Stem	Stainless steel
Plug	Stainless steel, skirt guided
Packing	Spring loaded PTFE cone rings
Medium temperature and pressure	
PN16	2 ... 120 °C; 1600 kPa 120 ... 150 °C; 1440 kPa
Maximum temperature differential in alternating hot/cold water use	60 K

General

These single seated valves are used for modulating control of hot / chilled water or steam in heating, ventilating and air conditioning systems. The valves can be operated by linear actuators ML6421B and M7L421B.

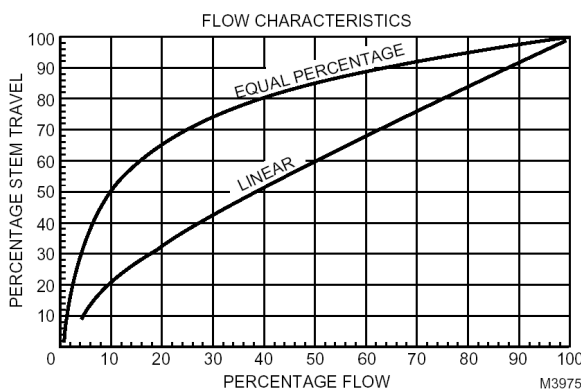


Fig. 1. Characteristics

Sizes and flow capacities

Order Number	Valve Size	kvs
V5050A2088	DN100	140
V5050A2106	DN125	220
V5050A2114	DN150	310

Actuators

Electric actuators

Actuator (1800N)	Valve Size
M6421B M7421B	DN100 - DN150

Installation

- Water should meet VDI 2035 requirements.
- Do not install valve with stem below the horizontal.
- Fluid flow must correspond with the arrow direction on the valve body.
- The installation of a strainer is strongly recommended.

CLOSE OFF PRESSURE RATINGS in kPa

Electric actuators

Actuator		Valve Size		
Model	Force	DN100	DN125	DN150
ML6421B, ML7421B	1800 N	150	120	80

DIMENSIONS (mm)

Valve

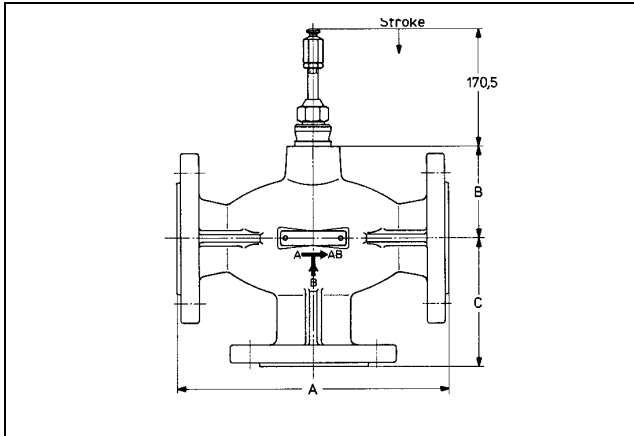


Fig. 2 V5050A

Valve Size	A	B	C
DN100	350	100	150
DN125	400	120	175
DN150	480	140	200

Electric actuators

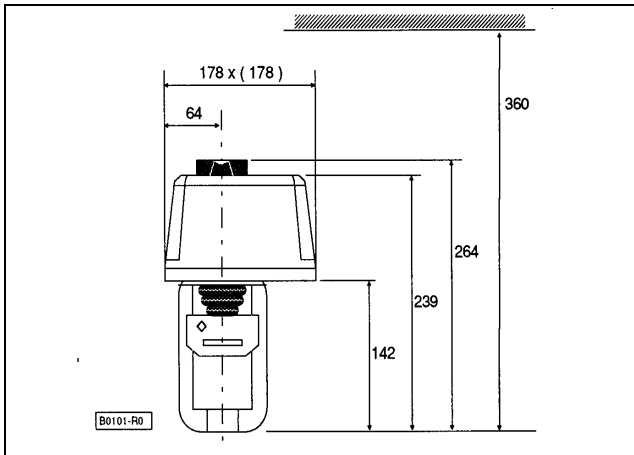


Fig. 3 ML6421B/ML7421B

Repair packing kit

Part No.: 88609020



← CARBON+TEFLON



← O-RING(NBR)

Honeywell

Automation and Control Solutions

Honeywell Taiwan Ltd.

9F, 168 Lien Cheng Road

Chung Ho City, Taipei County, Taiwan

Phone: +886-2-2243 1653

Fax: +886-2-2243 1244

Subject to change without notice. Printed in Taiwan

APEN0H-002TW01C0909